

#6-0730 HARROW KIT for SNAPPER REAR TINE TILLERS

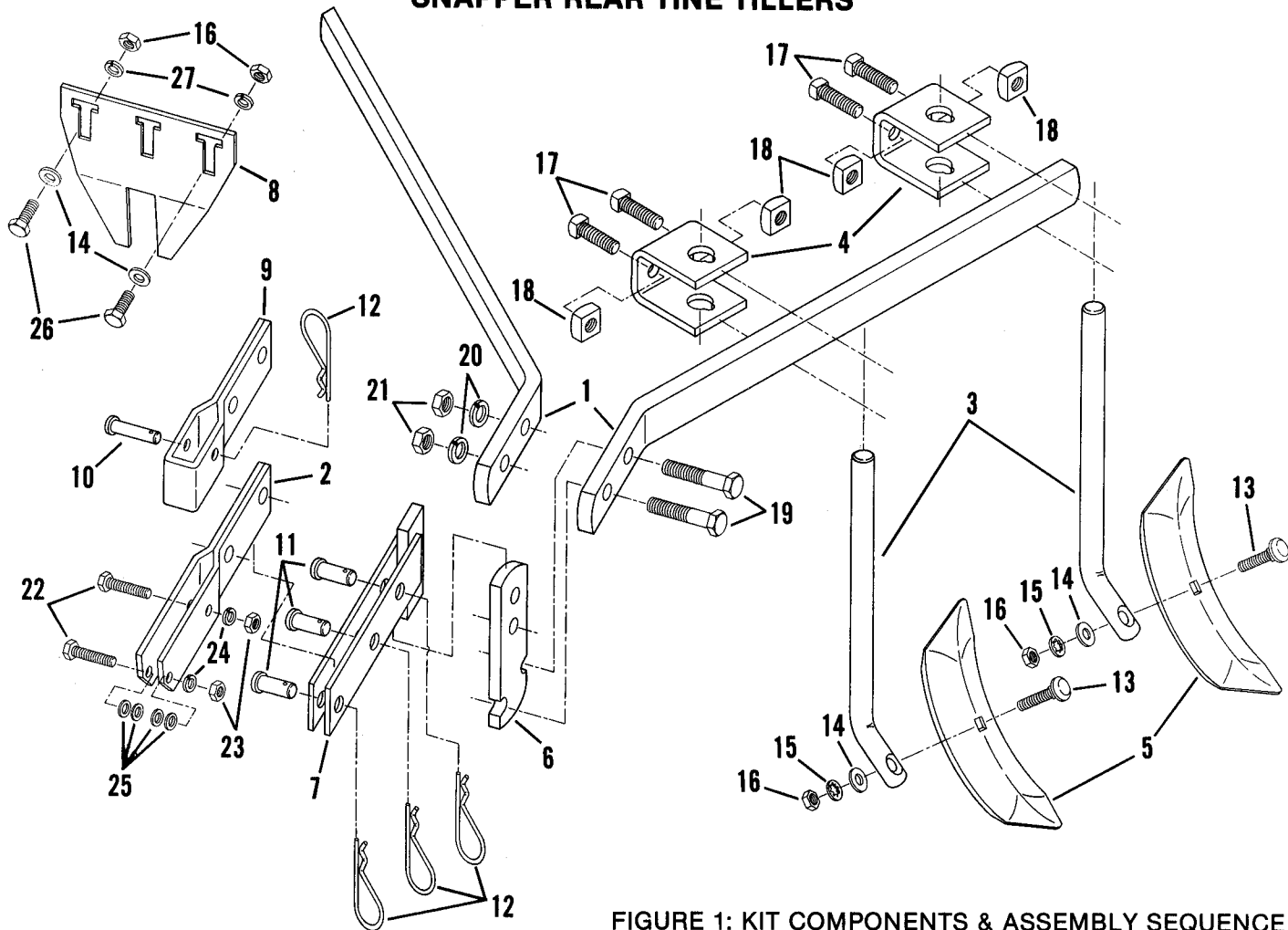


FIGURE 1: KIT COMPONENTS & ASSEMBLY SEQUENCE

ITEM	PART NO.	DESCRIPTION
1	3-1905	TOOL BAR (2)
2	4-7857	CLEVIS, Bracket
3	3-2474	SHANK, Cultivator (4)
4	3-1904	CLAMP (4)
5	1-2244	SHOVEL, Double Point (4)
6	3-2473	ADAPTER, Harrow
7	4-7858	DRAW-BAR
8	3-8217	CLEVIS, Support
9	4-0527	BRACKET, Mounting (Front Tine Tiller Only)
10	1-3460	PIN, Clevis 3/8x1-1/2" (Front Tine Tiller Only)
11	1-3111	PIN, Clevis 1/2x1" (3)
12	1-3844	PIN, Hair (4)
13	9-0497	BOLT, 3/8-16x1-1/2" Carriage (4)
14	9-0122	WASHER, 3/8 Flat (8)
15	9-0390	WASHER, 3/8 Internal-Tooth Lock (4)
16	9-0130	NUT, 3/8-16 Hex (6)
17	9-0542	SCREW, 1/2-13x1-1/4" Square Head Set (8)
18	9-0326	NUT, 1/2-13 Square (8)
19	9-0543	SCREW, 1/2-13x2" Hex Head Cap (2)
20	9-0254	WASHER, 1/2 Split Lock (2)
21	9-0258	NUT, 1/2-13 Hex (2)
22	9-0211	SCREW, 5/16-18x1-1/2" Hex Head Cap (2)
23	9-0196	NUT, 5/16-18 Hex (2)
24	9-0187	WASHER, 5/16 Split Lock (2)
25	9-0188	WASHER, 5/16 Flat (4)
26	9-0134	SCREW, 3/8-16x3/4" Hex Head Cap (2)
27	9-0118	WASHER, 3/8 Split Lock (2)

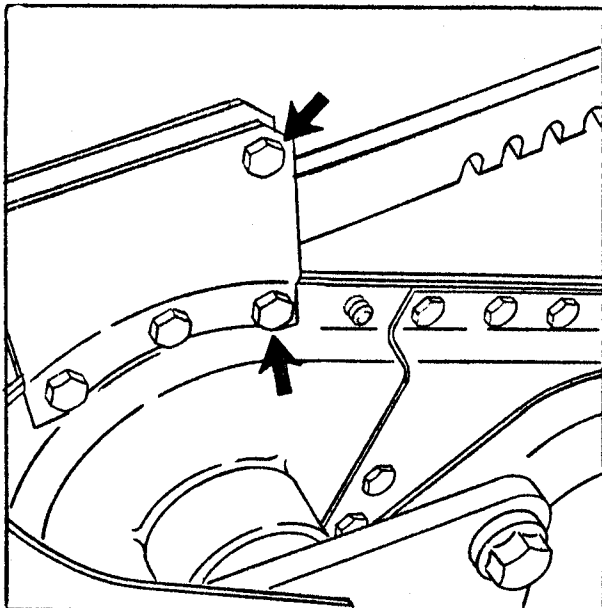


FIGURE 2: REMOVE HARDWARE INDICATED

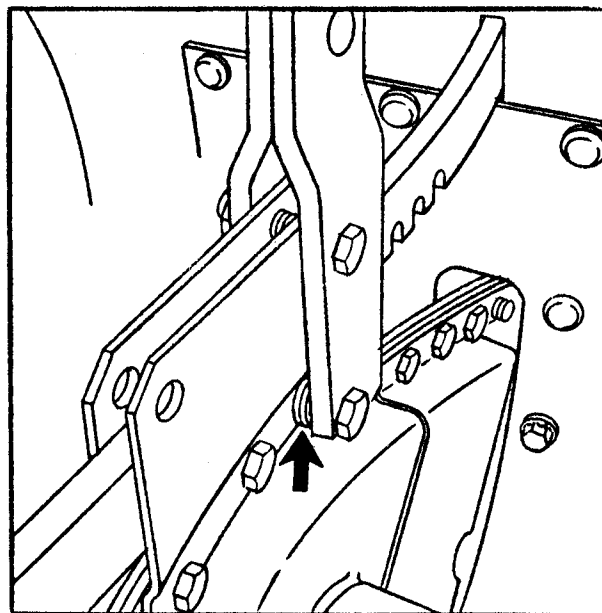


FIGURE 3: SPACER WASHERS BOTH SIDES

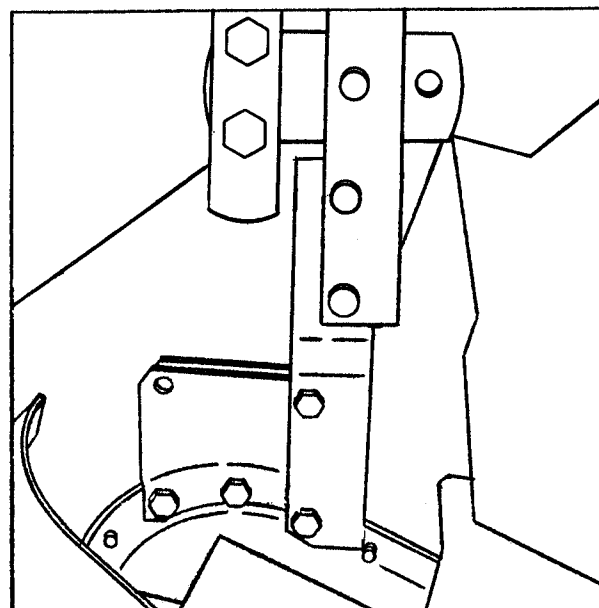


FIGURE 4: DRAW-BAR TO CLEVIS BRACKET

(CONTINUED)

ASSEMBLY INSTRUCTIONS: Presassemble kit components in sequence shown but do not attach the clevis bracket (item 2) to the draw-bar (item 7) at this time. This pertains to the set-up only.

INSTALLATION INSTRUCTIONS: Stand the tiller on front stand-up bar, remove the drag shield and install the support clevis (item 8) with hardware shown in illustration.

STEP 1: Remove the depth bar retaining hardware and the tiller chain case bolt directly below it as shown in figure 1.

STEP 2: Attach the clevis bracket (item 2) to the depth bar retainer and chain case using the two 5/16x1-1/2" hex head bolts, lockwashers and hex nuts (items 22, 23 & 24 of illustration. NOTE: Install two of the 5/16 flat washers (item 25) on each side of the chain case to act as spacers as shown in figure 2. The clevis bracket can remain on the tiller permanently!

STEP 3: Remove the depth bar handle grip spring then remove the depth bar. Save these parts for use later when the harrow is removed.

STEP 4: Attach the draw-bar of the assembly to the clevis bracket with two clevis pins and lock in place with two hair pins. NOTE: Harrow adapter (item 6) can be reversed to point down for a more shallow furrow.

STEP 5: Return the tiller to its wheels. NOTE: To use four shank harrow kit on Front Tine Tiller; Tire Kit # 6-0262 must be used.

NOTE: Use mounting bracket (item 9) & clevis pin (item 10) for Front Tine Tillers. Mounting bracket (item 9) & clevis pin (item 10) replace items 2 & 11 on Front Tine Tillers. To mount, reverse skid-arm, and slide mounting bracket on from bottom.

SNAPPER POWER EQUIPMENT
McDonough, GA • 30253

